

You're  
here.



It's  
there.



Your  
investment



is just  
a call away.

**Introducing** a revolutionary vessel monitoring system...

*VMI*  
**DataLINK**  
VESSEL MONITORING

VMI DataLINK, the vessel monitoring system that revolutionizes the way you monitor your boat.

No matter where you are or what you're doing, DataLINK will transfer your boat's onboard instrumentation and alarms, directly to your cell phone using text-messaging technology.

Now, battery voltage, temperature, wind, depth, bilge pump, fuel levels and more, are at your fingertips and just seconds away.

**Always there and on-watch when you can't be.**

**vesselmonitoring.com • 561-721-2546**

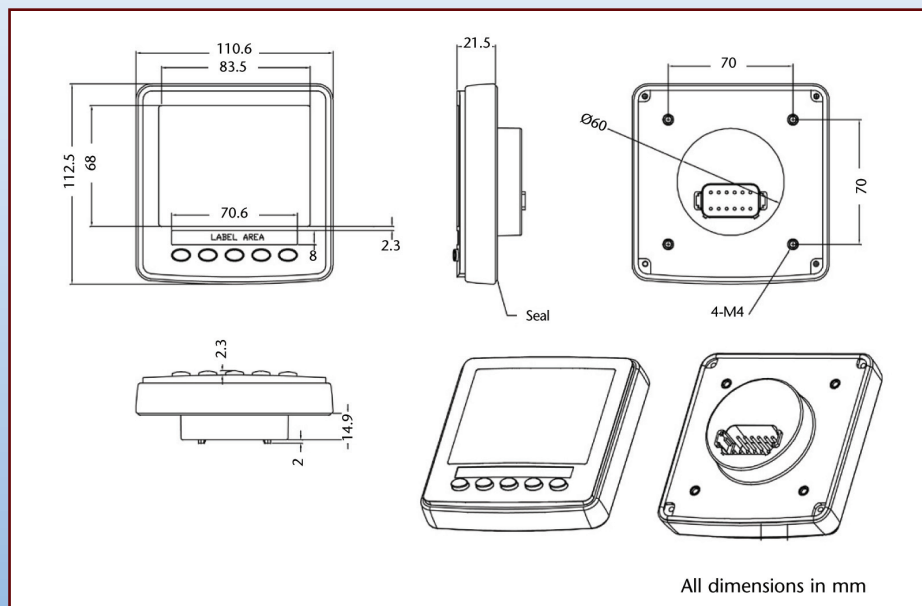
Introducing a revolutionary vessel monitoring system...

# Vmi DataLINK

V E S S E L M O N I T O R I N G



Always there and on-watch  
when you can't be.



## FEATURES

**Multi-function display**  
**SAE J1939 engine data**

### Onboard Instrumentation

- Bilge Pump
- Battery Voltage
- Temperature
- Tanks (4)

### NMEA 183 data

(includes the following):

- GPS
- Wind
- Depth
- Temperature
- & More

### Remote Monitoring

- Bilge Pump
- Battery Voltage
- Temperature
- NMEA
- Request (query) status by sending pin number to boat via text message
- Immediate Response with requested information
- Intrusion

### Remote Alarming

- All of the above sends a text message to 2 cell phone numbers

### Technology

- SMS text messaging via GSM network

### Electrical

10 to 32 VDC supply (reverse polarity protected)  
40 to 240 mA at 12 VDC

### Environmental

Waterproof - IP67  
Salt Spray - IEC 60068-2-52:  
1996



801 North Federal Hwy • Lake Worth, FL 33460  
Phone: (561) 721-2546 • Fax: (561) 721-2573  
www.vesselmonitoring.com • info@vesselmonitoring.com